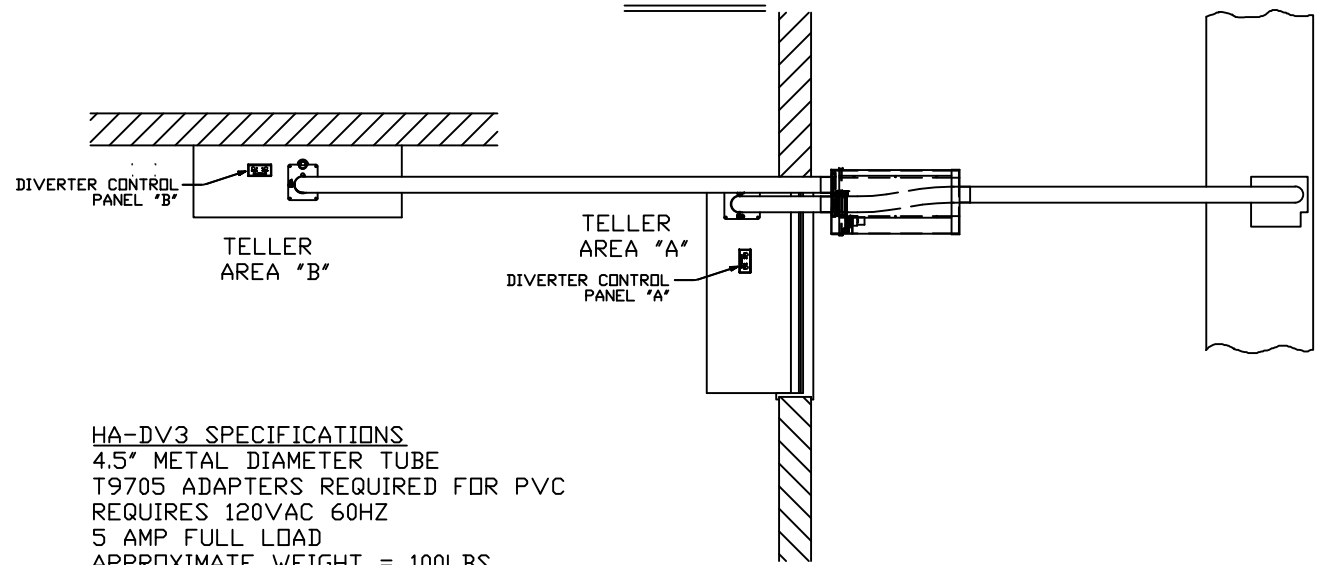


HA-DV3 WIRING REQUIREMENTS

- ALL COMPONENTS CONNECT TO DIVERTER PCB USING STANDARD CAT5 CABLE WITH MALE RJ-45 CONNECTORS ON BOTH ENDS WIRED IN A STANDARD STRAIGHT THROUGH CONFIGURATION.
- COMPONENTS INCLUDE TELLER STATIONS, TELLER DIVERTER CONTROL PANELS, AND CUSTOMER UNIT.

SECTION REFERENCE DRAWING NUMBER #99-1021



HA-DV3 SPECIFICATIONS
 4.5" METAL DIAMETER TUBE
 T9705 ADAPTERS REQUIRED FOR PVC
 REQUIRES 120VAC 60HZ
 5 AMP FULL LOAD
 APPROXIMATE WEIGHT = 100LBS

PLAN

est. 1967 HAMILTON CUSTOM MADE SECURITY	PROPRIETARY AND CONFIDENTIAL THESE DRAWINGS ARE THE PROPERTY OF HAMILTON SAFE CO. AND SHALL NOT BE REPRODUCED, COPIED, USED AS THE BASIS FOR MANUFACTURE OR SALE OF APPARATUS WITHOUT PERMISSION	DESCRIPTION DIVERTER ADD-A-TELLER	
		DRAWING/MODEL NUMBER 99-1027	DATE 10/08/2021